



Russell Hobbs



INSPIRE

2 SLICE TOASTER

2 YEAR WARRANTY

RHT112 SERIES

INSTRUCTIONS & WARRANTY

IMPORTANT SAFEGUARDS

When using electrical appliances, basic safety precautions should always be followed, including:

1. To protect against electrical hazards, do not immerse the power cord, plug or toaster in water or any other liquid.
2. Do not insert anything, other than food to be toasted, into the toasting slots. Doing so may result in personal injury from electric shock and/or damage to the appliance.
3. Do not use in the bathroom or near any source of water.
4. Do not use outdoors.
5. Do not insert fingers into the toasting slots to lift or carry the toaster.
6. Misuse of the appliance may cause injury.
7. This appliance is not intended for use by persons (including children) with reduced physical, sensory or mental capabilities, or lack of experience and knowledge, unless they have been given supervision or instruction concerning use of the appliance by a person responsible for their safety.
8. This appliance must be attended whilst plugged in. Bread may burn
9. Always turn off and unplug from the wall power outlet when not in use and before cleaning the appliance.
10. To disconnect, turn off the wall power outlet, then grasp and pull the plug from the wall outlet. Never pull by the cord.
11. Do not operate this appliance with a damaged cord/plug or after the appliance has been dropped, damaged or has malfunctioned in any manner. Contact Customer Service for examination, adjustment, repair or replacement.
12. There are no user serviceable parts. If the power cord is damaged, it must be replaced by the manufacturer or similarly qualified person in order to avoid a hazard.
13. Do not use on an inclined plane or unstable surface.
14. Do not move the toaster while it is switched on.
15. Do not cover the toaster when in use.
16. Heat rises from the toaster when in use. To avoid possible damage, do not use directly below overhead cupboards.
17. Do not use the toaster near or below any curtains or other combustible materials.
18. Always take care when removing food after toasting as it is hot.
19. Always take care when removing food from the toaster as accessible surfaces may become hot during operation.
20. Do not attempt to toast items that do not properly fit into the toasting slots.
21. Do not attempt to cook buttered bread, crumpets, etc. Placing buttered items in the toaster will create a fire hazard. Only plain unbuttered items may be toasted.
22. Keep the toaster and the power cord away from the edge of tables or countertops and out of reach of children and persons with reduced physical, sensory and mental capacities.
23. Ensure the toaster has switched off before removing toast.
24. Do not cook food wrapped in plastic film, polythene bags or aluminium foil. It will cause a fire hazard.
25. Do not place on or near any heat sources.
26. Follow the instructions when cleaning this appliance.
27. Do not use this appliance for other than its intended purpose.
28. Do not use the toaster without the crumb tray fitted and closed.
29. Clean the crumb tray regularly. If not cleaned it may create a fire hazard.
30. Do not leave the toaster unattended when in use or where it may be touched by children.
31. This appliance is not a toy. Children should be supervised to ensure they do not play with the appliance. Cleaning and user maintenance shall not be made by children without supervision.
32. This appliance is not intended to be operated by means of an external timer or separate remote control system.
33. For added safety, electrical appliances should be connected to a power outlet that is protected by a residual current device (RCD), also often referred to as a 'Safety Switch'. Your switchboard may already incorporate an RCD. If unsure, call an electrician for verification and fitting if necessary.
33. This appliance is intended to be used in household and similar applications such as:
 - staff kitchen areas in shops, offices and other working environments;
 - by clients in hotels, motels and other residential type environments;
 - bed and breakfast environments,
 - farm houses.



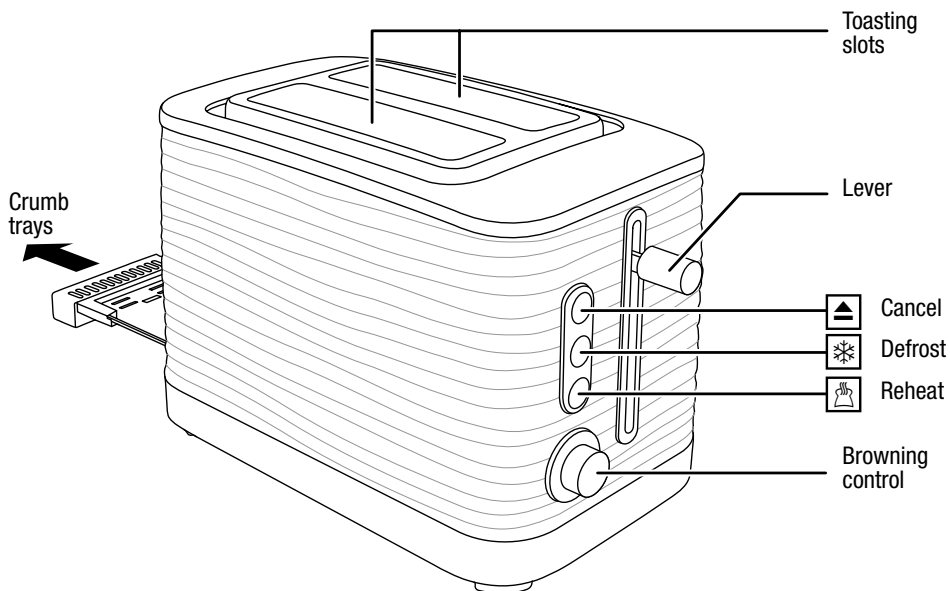
SAVE THESE INSTRUCTIONS.

Congratulations on the purchase of your Russell Hobbs appliance. Each unit is manufactured to ensure safety and reliability. **Before using the appliance for the first time, please read the instruction booklet carefully and keep it for future reference.** Pass it on if you pass on the appliance.

When using electrical appliances, basic safety precautions should always be followed.



The surfaces of the appliance will get hot.



BEFORE USING THE TOASTER FOR THE FIRST TIME

- Ensure all packaging, swing tags and promotional labelling has been removed from the toaster, and check that the toasting slots are empty before connecting to the wall power outlet.
- Position your toaster in a well ventilated area, on a firm, level, heat-resistant surface, clear of curtains, drapes, overhead cupboards and other combustible materials.
- Plug the power cord into the wall power outlet and switch on.
- Set the browning control to the highest setting (6).
- Now operate the toaster by pressing down the bread carriage lever until it locks into place. This process will cure the new elements and burn off any dust, residues, etc., which may have accumulated on the elements. The new elements may give off an odour and a small amount of vapour whilst burning in; this is normal. The toaster will shut itself off after a few minutes. It is now ready for toasting.

POSITIONING

- Position your toaster on a firm, level, heat-resistant surface, clear of curtains, drapes, overhead cupboards and other combustible materials.
- Do not place the toaster on or near items that may become damaged even by moderate sources of heat.
- Shorten the power cord by wrapping the excess cord around the clips underneath the toaster.

TOASTING BREAD

- Plug the power cord into the wall power outlet and switch it on.
- Rotate the browning control to the desired level (1 low setting to 6 high setting).
- Place the bread into the toasting slots.
- Operate the toaster by pressing the bread carriage lever down until it locks into place. It will not lock down unless the toaster is connected to the electricity supply.
- The toaster will cook the toast for a period of time according the position of the browning control.
- The Cancel light will come on and the elements will heat up.
Note: Bread may burn, so always monitor the cooking process.
- When done, the toast will pop up and the elements will switch off.

EJECT

- To stop the toaster mid-cycle, press the **Cancel** button.
- The toast will pop up and the elements will switch off.

HIGH LIFT

- After toasting smaller items (bagels, crumpets, etc.), the bread carriage lever can be lifted manually, so these smaller items can be easily removed from the toasting slots.

FROZEN BREAD

- Leave the browning control at your preferred setting.
- Place the frozen bread into the slot; lower the bread carriage lever, then press the **Defrost** button.
- The **Defrost** light will come on, and the toasting time will be altered automatically to give the same degree of browning you get with unfrozen bread.

REHEATING TOAST

Note: You must only reheat plain, “unbuttered” toast.

- Place the bread into the slot, lower the bread carriage lever, then press the **Reheat** button
- The light will come on and the toasting time will be altered automatically to give a short burst of heat to reheat the toast.

HINTS AND TIPS

- When toasting more than one slice of bread, use slices of similar size, thickness and freshness.
- Old or thin bread will cook faster than fresh or thick bread, so use a lower setting.
- Do not use torn, curled up, or misshapen slices of bread, as these may jam the ejection mechanism and could catch fire.
- Sweet bread products (fruit loaf, etc.) brown much quicker than ordinary bread, so they should be toasted on a lighter setting.
- Should the bread carriage become jammed during the toasting cycle, do not attempt to release it. Unplug the toaster and allow it to cool down before carefully removing the bread.
- Do not use a knife, fork or similar sharp instrument as these may damage the elements and present a danger of electric shock.

CRUMBS

Crumbs will collect in the base of the toaster. Letting them build up can cause a fire hazard so it is important to remove them frequently.

- Switch off the power and remove the plug from the wall power outlet.
- Pull out the crumb trays and empty out the crumbs.
- Wipe the trays clean with a damp cloth.
- Dry thoroughly before sliding back into the base of the toaster.

CARE AND MAINTENANCE

- Switch the power off and remove the plug from the wall power outlet.
- Let the toaster cool down fully before attempting any cleaning operation or storing away.
- Wipe the outer surfaces with a soft damp cloth. If necessary, use a little dish washing detergent.
- Do not allow cleaning utensils, liquid or any foreign objects to enter the toasting slots, as this may damage the elements and present a danger of electric shock.
- Remove, empty, clean and refit the crumb trays.
- Do not use harsh or abrasive cleaning agents or solvents.
- Do not use alkaline cleaning agents when cleaning this appliance.
- Do not immerse the toaster in water or any other liquid.

Spectrum Brands Australia Pty Ltd

Locked Bag 3004 Braeside
Victoria 3195 Australia

Customer Service in Australia

TollFree: 1800 623 118
Email: info@spectrumbrands.com.au
Website: www.spectrumbrands.com.au

Spectrum Brands New Zealand Ltd

PO Box 9817 Newmarket
Auckland 1149 New Zealand

Customer Service in New Zealand

TollFree: 0800 736 776
Email: service@spectrumbrands.co.nz
Website: www.spectrumbrands.co.nz

Spectrum Brands Australia Pty Ltd and Spectrum Brands New Zealand Ltd Warranty Against Defects

In this warranty:

Australian Consumer Law means the Australian consumer law set out in Schedule 2 to the Competition and Consumer Act 2010;

CGA means the New Zealand Consumer Guarantees Act 1993;

Goods means the product or equipment which was accompanied by this warranty and purchased in Australia or New Zealand, as the case may be;

Manufacturer, We or us means:

1. for Goods purchased in Australia, Spectrum Brands Australia Pty Ltd ABN, 78 007 070 573;
or
2. for Goods purchased in New Zealand, Spectrum Brands New Zealand Ltd, as the case may be, contact details as set out at the end of this warranty;

Supplier means the authorised distributor or retailer of the Goods that sold you the Goods in Australia or in New Zealand; and

You means you, the original end-user purchaser of the Goods.

1. Our goods come with guarantees that cannot be excluded under the Australian Consumer Law, or the CGA. You are entitled to a replacement or refund for a major failure and compensation for any other reasonably foreseeable loss or damage. You are also entitled to have the goods repaired or replaced if the goods fail to be of acceptable quality and the failure does not amount to a major failure.
2. The benefits provided by this Warranty are in addition to all other rights and remedies in respect of the Goods which the consumer has under either the Australian Consumer Law or the CGA. The original purchaser of the Goods is provided with the following Warranty subject to the Warranty Conditions:
3. We warrant the Goods for all parts defective in workmanship or materials from the date of purchase, for the period of 2 years from the date of purchase (**Warranty Period**).

If the Goods prove defective within the Warranty Period by reason of improper workmanship or material, we may, at our own discretion, repair or replace the Goods without charge.

Warranty Conditions

4. The Goods must be used in accordance with the manufacturer's instructions. This Warranty does not apply should the defect in or failure of the Goods be attributable to misuse, abuse, accident or non-observance of manufacturer's instructions on the part of the user. As far as the law permits, the manufacturer does not accept liability for any direct or consequential loss, damage or other expense caused by or arising out of any failure to use the Goods in accordance with the manufacturer's instructions.
 5. Exhaustible components (such as batteries, ironing board cover, filters and brushes) of the Goods are included under this Warranty only where there is a defect in workmanship or materials used.
 6. The warranty granted under clause 3 is limited to repair or replacement only.
 7. Any parts of the Goods replaced during repairs or any product replaced remain the property of the manufacturer. In the event of the Goods being replaced during the Warranty Period, the warranty on the replacement Goods will expire on the same date as for the Warranty Period on the original Goods which are replaced.
 8. In order to claim under the warranty granted under clause 3 you must:
 - (a) Retain this warranty with your receipt/proof of purchase; and
 - (b) Return the Goods to us at the relevant address or to the Supplier by prepaid freight within the Warranty Period accompanied with (i) the legible and unmodified original proof of purchase, which clearly indicates the name and address of the Supplier, the date and place of purchase, the product name or other product serial number and (ii) this warranty.
 9. This warranty is immediately void if:
 - (a) Any serial number or appliance plate is removed or defaced;
 - (b) The Goods have been serviced or otherwise repaired by a person not authorised to do so by us or where non approved replaced parts are used.
 10. The Goods are designed for domestic use only. The Goods must be connected to the electrical voltage requirements as specified in the ratings label located on the Goods.
 11. This warranty does not cover the cost of claiming under the warranty or transport of the Goods to and from the Supplier or us.
 12. This warranty is only valid and enforceable in Australia against Spectrum Brands Australia Pty Ltd and in New Zealand against Spectrum Brands New Zealand Ltd.
- Contact us or the Supplier for further details.

Register your product online

If you live in Australia please visit: www.spectrumbrands.com.au/warranty

If you live in New Zealand Please visit: www.spectrumbrands.co.nz/warranty

Registration of your warranty is not compulsory, it gives us a record of your purchase AND entitles you to receive these benefits: Product information; Hints and tips; Recipes and news; Information on special price offers and promotions.

Any questions? Please contact Customer Service for advice.



www.russellhobbs.com.au

www.russellhobbs.co.nz