

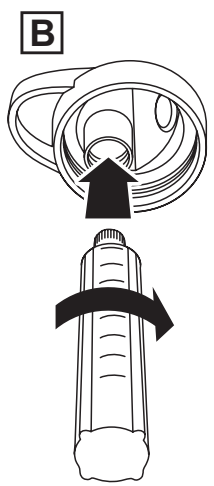
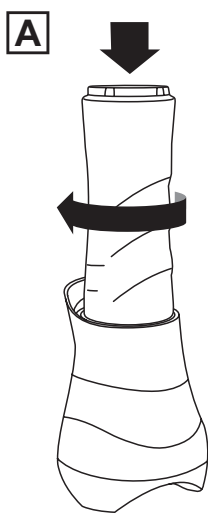
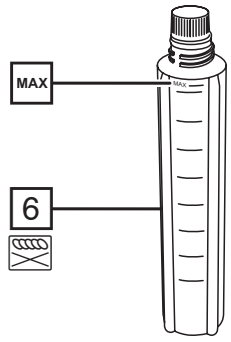
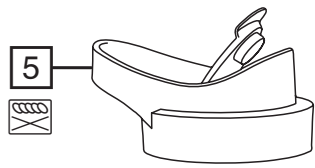
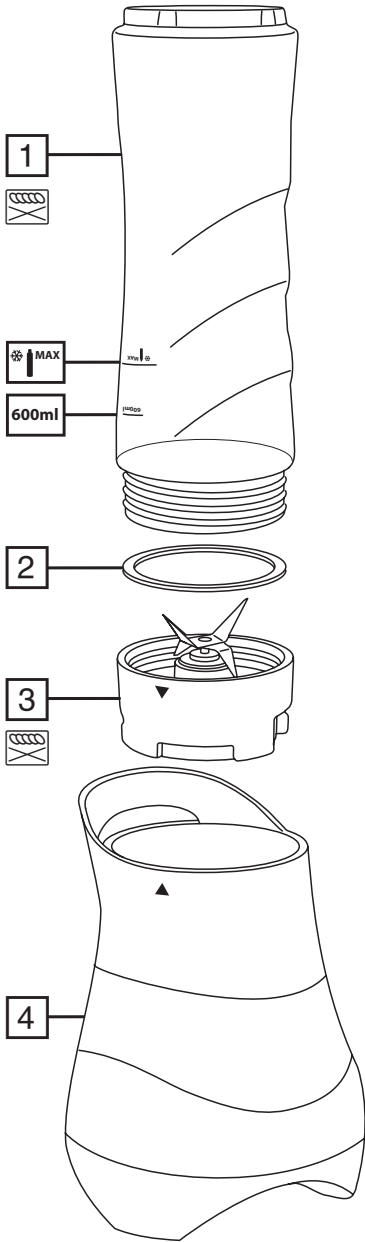


Russell Hobbs



instructions

£10,000 prize draw
EXTRA year guarantee
FREE rewards gallery
www.russellhobbs.co.uk/productregister/
Register online now!
See back for details



Read the instructions, keep them safe, pass them on if you pass the appliance on. Remove all packaging before use.

IMPORTANT SAFEGUARDS

Follow basic safety precautions, including:

This appliance can be used by children aged from 8 years and above and persons with reduced physical, sensory or mental capabilities or lack of experience and knowledge if they have been given supervision or instruction concerning use of the appliance in a safe way and understand the hazards involved.

Children must not play with the product.

Cleaning and user maintenance must not be done by children unless they are aged 8 or older and are supervised.

Always disconnect the appliance from the mains supply socket if it is left unattended and before assembling, disassembling or cleaning.

If the supply cord is damaged, it must be replaced by the manufacturer, its service agent or similarly qualified persons in order to avoid a hazard.

- Don't put the motor unit in liquid.
- Don't use accessories or attachments other than those we supply.
- Don't use this appliance for any purpose other than making smoothies.
- Don't operate the appliance if it's damaged or malfunctions.
- Don't run the motor for more than 1 minute, or it may overheat. After 1 minute, switch off for at least 2 minutes to let the motor cool.

HOUSEHOLD USE ONLY

PARTS

- | | |
|---------------|---|
| 1. Bottle | 5. Lid |
| 2. Seal | 6. Cool Tube |
| 3. Blade unit |  Dishwasher safe - top rack only |
| 4. Motor unit | |

BEFORE USING FOR THE FIRST TIME

- Remove any packaging material and labels.
- Wash the bottle, lid, blade unit and Cool Tube in warm, soapy water. Rinse and dry.
- Wipe the motor unit with a damp cloth.

USING YOUR MIX & GO

1. Place the motor unit on a dry, firm, level surface.
2. Put the plug into the power socket.
3. Add the ingredients to the bottle then screw on the blade unit. Don't fill past **600ml**.
4. Turn the bottle upside down.
5. Align ▼ on the bottle with ▲ on the motor unit.

6. Press the bottle down to run the motor. Release it to stop.
7. For hands free operation, turn the bottle left to run the motor (FIG A), then back, to stop.
8. Once finished, lift the bottle off the motor unit, turn it upright, unscrew the blade unit then screw the lid onto of the bottle.
9. Flip the cap on the lid open to drink, press it closed to store.

USING THE COOL TUBE

The Cool Tube helps to keep your drink cooler and fresher for longer.

1. Open the Cool Tube screw cap and fill the tube with water to the **MAX** mark on the tube.
2. Replace the screw cap.
3. Place the Cool Tube in the freezer (or freezer compartment of your fridge) until the water inside has frozen.
4. Once frozen, screw the Cool Tube into the underside of the lid (FIG B)
5. Follow the previous instructions to make your drink and once made, fit the lid and Cool Tube to the bottle. Remember, when using the Cool Tube only fill the bottle up to the Cool Tube MAX marking (*^{MAX}).

CLEANING

1. Unplug the appliance.
2. Wipe the the motor unit with a damp cloth.
3. Remove the seal with something blunt, like the handle of a fork.
4. Hand wash the removable parts.
5. Press the seal back into place with something blunt, like the handle of a fork.



You may wash these parts in the top rack of a dishwasher.

If you use a dishwasher, the harsh environment inside the dishwasher will affect the surface finishes.

The damage should be cosmetic only, and should not affect the operation of the appliance.

FRESH FRUIT SMOOTHIES

These recipes make two large smoothies

STRAWBERRY & BANANA SMOOTHIE

150ml milk
½ banana, roughly chopped
6 strawberries, stalks removed
2 ice cubes

BANANA, VANILLA & HONEY SMOOTHIE

200ml milk
½ banana, roughly chopped
1 tsp honey
2 tsp vanilla extract
2 ice cubes

APPLE & MANGO SMOOTHIE

300ml apple juice
½ ripe mango, stoned, peeled and roughly chopped
3 ice cubes

CREAMY BLUEBERRY & VANILLA SMOOTHIE

360ml lemonade
125g vanilla ice cream
70g blueberries

BREAKFAST SMOOTHIE

2 tbsp natural yogurt
100ml milk
1 tbsp oatmeal or porridge oats
½ banana, roughly chopped
1 tsp honey
1 apples, cored and roughly chopped
2 ice cubes

CHOCOLATE ORANGE SMOOTHIE

170g chocolate ice cream
300ml orange juice
2 ice cubes

NUTTY BANANA SMOOTHIE

75g hazlenut yogurt
½ banana, roughly chopped
100ml milk
2 ice cubes

CHOCOLATE PEAR SMOOTHIE

150ml chocolate milk
1 pear, peeled, cored and roughly chopped
2 ice cubes

MANGO LASSI

100ml natural yogurt
½ ripe mango, stoned, peeled and roughly chopped
100ml milk
1 tsp honey
2 ice cubes

CRANBERRY, ORANGE & BANANA SMOOTHIE

150ml orange juice
150ml cranberry juice
½ banana, roughly chopped
2 ice cubes

PEACH & APRICOT SMOOTHIE

2 halves of tinned apricot (in juice)
40ml apricot juice (from tin)
1 peach, stoned, roughly chopped
3 tbsp natural yogurt
100ml milk
1 tsp honey
2 ice cubes

BERRY FRUITY SMOOTHIE

150ml apple juice
45g raspberries
6 strawberries, stalks removed
2 ice cubes

APPLE, MELON & KIWI FRUIT SMOOTHIE

200ml apple juice
½ kiwi fruit, peeled and roughly chopped
75g melon, roughly chopped
2 ice cubes

VERY CHOCOLATEY CHERRY SMOOTHIE

350ml lemonade
125ml chocolate ice cream
100g cherries, stoned

ADULT ONLY SMOOTHIES

TROPICAL COCKTAIL

200ml ginger beer
150g melon, roughly chopped
40ml rum
2 ice cubes

COSMOPOLITAN (makes 2 doubles)

100ml cranberry juice

50ml vodka

50ml cointreau

BAILEYS COFFEE COCKTAIL

100ml milk

40g vanilla ice cream

½ tsp instant coffee

40ml baileys or irish cream liqueur

3 ice cubes

STRAWBERRY GIN FIZZ

100ml lemonade

60ml gin

1 tsp lemon juice

6 strawberries, stalks removed

3 ice cubes

MANGO & RUM COCKTAIL

100ml pineapple juice

¼ ripe mango, stoned, peeled and roughly chopped

½ banana, roughly chopped

40ml rum

2 tbsp natural yogurt

3 ice cubes

LA MUMBA

300ml chocolate milk

50ml brandy

3 ice cubes

PINA COLADA

200ml pineapple juice

100ml malibu

30ml single cream

4 ice cubes



ENVIRONMENTAL PROTECTION

To avoid environmental and health problems due to hazardous substances in electrical and electronic goods, appliances marked with this symbol mustn't be disposed of with unsorted municipal waste, but recovered, reused, or recycled.

SERVICE

If you ring Customer Service, please have the **Model No.** to hand, as we won't be able to help you without it. It's on the rating plate (usually underneath the product).

The product isn't user-serviceable. If it's not working, read the instructions, check the plug fuse and main fuse/circuit breaker. If it's still not working, consult your retailer.

If that doesn't solve the problem – ring Customer Service – they may be able to offer technical advice.

If they advise you to return the product to us, pack it carefully, include a note with your name, address, day phone number, and what's wrong. If under guarantee, say where and when purchased, and include proof of purchase (till receipt). Send it to:

Customer Service

Spectrum Brands (UK) Ltd

Fir Street, Failsworth, Manchester M35 0HS

email: support@russellhobbs.com

telephone: 0845 658 9700 (local rate number)

GUARANTEE

Defects affecting product functionality appearing within two years of first retail purchase will be corrected by replacement or repair provided the product is used and maintained in accordance with the instructions. Your statutory rights are not affected. Documentation, packaging, and product specifications may change without notice.



ONLINE

www.russellhobbs.co.uk for more products



REGISTER ONLINE FOR –



£10,000 prize draw,

EXTRA year guarantee,

FREE rewards gallery

Visit www.russellhobbs.co.uk/productregister/

You must register within 28 days of purchase.