

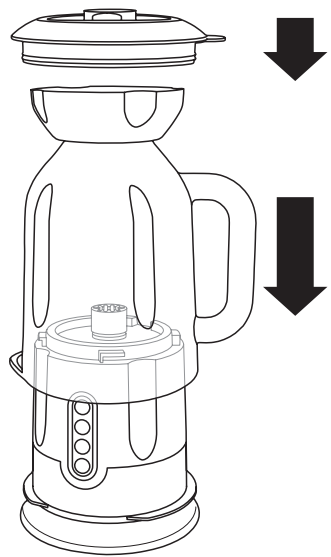
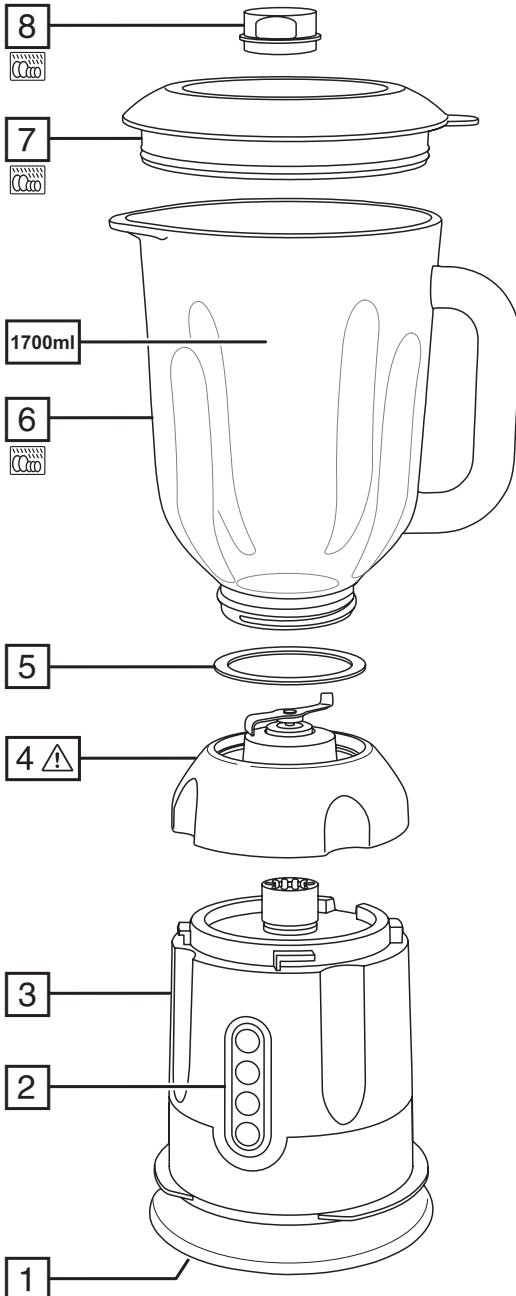


Russell Hobbs



instructions

£10,000 prize draw
EXTRA year guarantee
FREE rewards gallery
www.russellhobbs.co.uk/productregister/
Register online now!
See back for details



Read the instructions, keep them safe, pass them on if you pass the appliance on. Remove all packaging before use.

IMPORTANT SAFEGUARDS

Follow basic safety precautions, including:

This appliance can be used by persons with reduced physical, sensory or mental capabilities or lack of experience and knowledge if they have been supervised/instructed and understand the hazards involved.

Children must not use or play with the appliance.

Keep the appliance and cable out of reach of children.

To avoid injury, take care handling the blades, emptying the jug, and cleaning.

 Don't add hot liquid (over 40°C), as it may be ejected due to sudden steaming.

 Misuse of the appliance may cause injury.

Unplug the appliance before assembly, disassembly, or cleaning.

Don't leave the appliance unattended while plugged in.


If the cable is damaged, it must be replaced by the manufacturer, its service agent, or someone similarly qualified, to avoid hazard.

 Don't immerse the appliance in liquid.

- Switch off before fitting the jug to the motor unit.
- Switch off and wait till the blades come to a stop before removing the lid from the jug, or removing the jug from the motor unit.
- Don't put utensils into the jug while the appliance is plugged in.
- Don't use accessories or attachments other than those we supply.
- Don't use the appliance for any purpose other than those described in these instructions.
- Don't operate the appliance if it's damaged or malfunctions.
- Don't run the motor continuously for more than 2 minutes, it may overheat. After 2 minutes switch off for at least 2 minutes, to recover.

HOUSEHOLD USE ONLY

PARTS

- | | |
|---|---|
| 1. Power cord storage (underneath base) | 6. Jug |
| 2. Motor unit | 7. Lid |
| 3. Controls | 8. Cap |
| 4. Blade unit |  dishwasher safe |
| 5. Seal | |

ASSEMBLY

1. The jug, blade unit, and seal are packed together.
2. Sit the jug upside down, with the blade unit and seal in position.
3. Turn the jug base upside down and screw it on to the bottom of the jug. In use, treat the jug and base as a single unit.

4. Sit the motor unit on a dry, firm, level surface, near a power socket.
5. Lower the jug onto the motor unit and twist it clockwise to lock it. Your blender will not operate unless the jug is correctly fitted and locked.

USING

Your blender will automatically switch off after 2 minutes of continuous use.

It is normal for the off (0) button to flash when in standby. However, if the off button flashes very rapidly, and the unit doesn't work when any of the buttons are pressed, unplug it from the supply socket then reconnect it and try again.

1. Remove the lid.
2. Put the ingredients into the jug.
3. Don't fill past the 1700ml mark. If you do, the contents may force the lid off when you start the motor.
4. Replace the lid. Never operate the appliance without fitting the lid.
5. Fit the cap to the hole in the lid, and turn it anti-clockwise to lock it.
6. Don't run the appliance without fitting the cap.
7. Press the 1 or 2 button to start your blender.
8. Press the 0 button to stop your blender
9. Alternatively, press the pulse © button in short bursts until the desired consistency is obtained.
10. To add ingredients while the blender is working, remove the cap, pour the new ingredients through the hole, then replace the cap.

When you have finished:

- Switch the appliance off (0) and unplug it.

CRUSHED ICE

Before using the appliance to crush ice, make sure it's clean, and rinse it out thoroughly.

The slightest trace of detergent may affect the taste of the crushed ice, and will flatten any drink to which it is added.

For best results, full the jug with between 150ml and 500ml of ice cubes.

Put the lid on the blender, then:

1. Press the pulse button © for a second or two, then release it.
2. Check the results, and adjust.

STORING

1. To reduce the amount of space required to store your blender, place the jug over the motor unit and the lid over the base of the jug as shown.
2. The power cord can be stored coiled up under the base of the motor unit.

CARE AND MAINTENANCE

- Switch the appliance off (0) and unplug it.
- 3. Wipe the outside of the motor unit with a clean damp cloth.
- 4. Hand wash the removable parts.

 You may wash these parts in a dishwasher.

If you use a dishwasher, the harsh environment inside the dishwasher will affect the surface finishes.

The damage should be cosmetic only, and should not affect the operation of the appliance.

BLADE UNIT

You may wish to remove the blade unit for cleaning.

1. Remove the lid.
2. Sit the jug upside down.
3. Unscrew the jug base and lift it off.
4. Carefully, lift the blade unit out of the jug. Handle only the plastic – don't touch the metal parts.
5. Lift the seal away from the blade unit.
6. Wash the seal and blade unit in warm soapy water, rinse, and air dry.
7. Replace the seal round the blade unit.
8. Replace the blade unit in the jug.
9. Turn the jug base upside down, and screw it on to the bottom of the jug.

CORIANDER PESTO

- 2 handful coriander leaves
- 2 cloves garlic
- 60 g pine nuts
- 125 ml olive oil
- 60 g Parmesan, grated

Process the coriander, garlic, pine nuts and half the oil till smooth. Transfer to a large bowl.

Stir in the Parmesan. Add oil to adjust the consistency: For a dip: thick. For a topping: medium.

For pasta sauce: thin.



ENVIRONMENTAL PROTECTION

To avoid environmental and health problems due to hazardous substances in electrical and electronic goods, appliances marked with this symbol mustn't be disposed of with unsorted municipal waste, but recovered, reused, or recycled.

SERVICE

If you ring Customer Service, please have the **Model Number** to hand, as we won't be able to help you without it. It's on the rating plate (usually underneath the product).

The product isn't user-serviceable. If it's not working, read the instructions, check the plug fuse and main fuse/circuit breaker. If it's still not working, consult your retailer.

If that doesn't solve the problem – ring Customer Service – they may be able to offer technical advice.

If they advise you to return the product to us, pack it carefully, include a note with your name, address, day phone number, and what's wrong. If under guarantee, say where and when purchased, and include proof of purchase (till receipt). Send it to:

Customer Service

Spectrum Brands (UK) Ltd

Fir Street, Failsworth, Manchester M35 0HS

email: support@russellhobbs.com

telephone: 0845 658 9700 (local rate number)

GUARANTEE

Defects affecting product functionality appearing within two years of first retail purchase will be corrected by replacement or repair provided the product is used and maintained in accordance with the instructions. Your statutory rights are not affected. Documentation, packaging, and product specifications may change without notice.



ONLINE

www.russellhobbs.co.uk for more products



REGISTER ONLINE FOR –



£10,000 prize draw,

EXTRA year guarantee,

FREE rewards gallery

Visit www.russellhobbs.co.uk/productregister/

You must register within 28 days of purchase.